

**FILTROS DE PLACAS
60X60
PARA VINOS, ACEITE, CERVEZA Y LICORES**

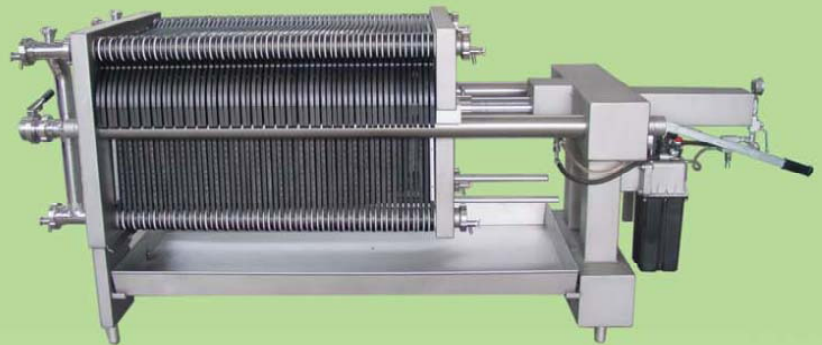
Modelo CFP



mod. CFP-MP06

PER VINO, OLIO, LIQUORI, BIRRA A STRATI FILTRANTI
WINE, OIL, LIQUEURS, BEER THROUGH FILTERING LAYERS
WEIN, ÖL, SPIRITUOSEN, BIER MIT FILTRIERSCHICHTEN
VINO, ACEITE, LICORES, CERVEZA ATRAVIERSO PLACAS FILTRADORAS
POUR VIN, HUILE, LIQUEURS, BIÈRE À COUCHES FILTRANTES

CFP



Caratteristiche

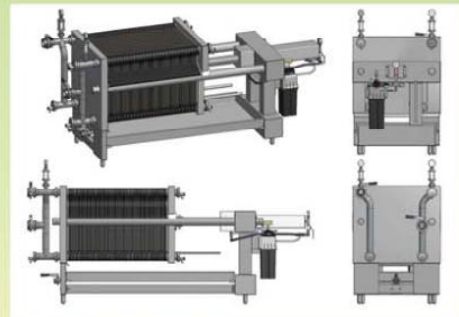
- Telaio in acciaio inox Aisi 304
- Piastra fissa e piastra mobile spessore 60mm
- Chiusura idraulica manuale, pressione 300 bar, pistone Ø90mm, con valvole di sicurezza
- Tubazioni in acciaio inox Aisi 304
- Specola visiva in entrata e uscita
- Valvole a farfalla in entrata e uscita

Features

- Frame in stainless steel Aisi 304
- Fix and movable plate width 60mm
- Manual hydraulic closure, pressure 300 bar, piston Ø90mm, with safety valves
- External pipe in stainless steel Aisi 304
- Sight-gauge for liquid inlet and outlet
- Butterfly valve on inlet and outlet



mod. CFP-MP06



Rendering 3D CFP-MP06



Disponibile anche con piastre inox Aisi 304 di nostra produzione

Also available with s.steel Aisi 304 plates, manufactured from us



mod. CFP-EP06

	L / H	Materiale piastra Plates material	N. Piastre N. of Plates	Guarnizioni Gaskets	Tipo chiusura Type of closure	A x B x H mm	KG
CFP-MP04	17000		40			2800x860x1410	1100
CFP-MP06	29000	Polypropylene (standard)	60	NBR (standard)	Manuale idraulica	2900x860x1410	1400
CFP-MP08	46000	Noryl (optional)	80	SILICON (optional)	Manual hydraulic	3000x860x1410	1630
CFP-MP10	63000		100			3100x860x1410	1950
CFP-EP04	17000		40			2850x860x1410	1300
CFP-EP06	29000	Polypropylene (standard)	60	NBR (standard)	Idraulica elettrica	2950x860x1410	1700
CFP-EP08	46000	Noryl (optional)	80	SILICON (optional)	Electric hydraulic	3050x860x1410	1830
CFP-EP10	63000		100			3150x860x1410	2150
CFP-MI04	17000		40			2800x860x1410	1200
CFP-MI06	29000	Acciaio Inox 304	60	NBR (standard)	Manuale idraulica	2900x860x1410	1500
CFP-MI08	46000	S. Steel Aisi 304	80	SILICON (optional)	Manual hydraulic	3000x860x1410	1730
CFP-MI10	63000		100			3100x860x1410	2050
CFP-EI04	17000		40			2850x860x1410	1400
CFP-EI06	29000	Acciaio Inox 304	60	NBR (standard)	Idraulica elettrica	2950x860x1410	1800
CFP-EI08	46000	S. Steel Aisi 304	80	SILICON (optional)	Electric hydraulic	3050x860x1410	1930
CFP-EI10	63000		100			3150x860x1410	2250